

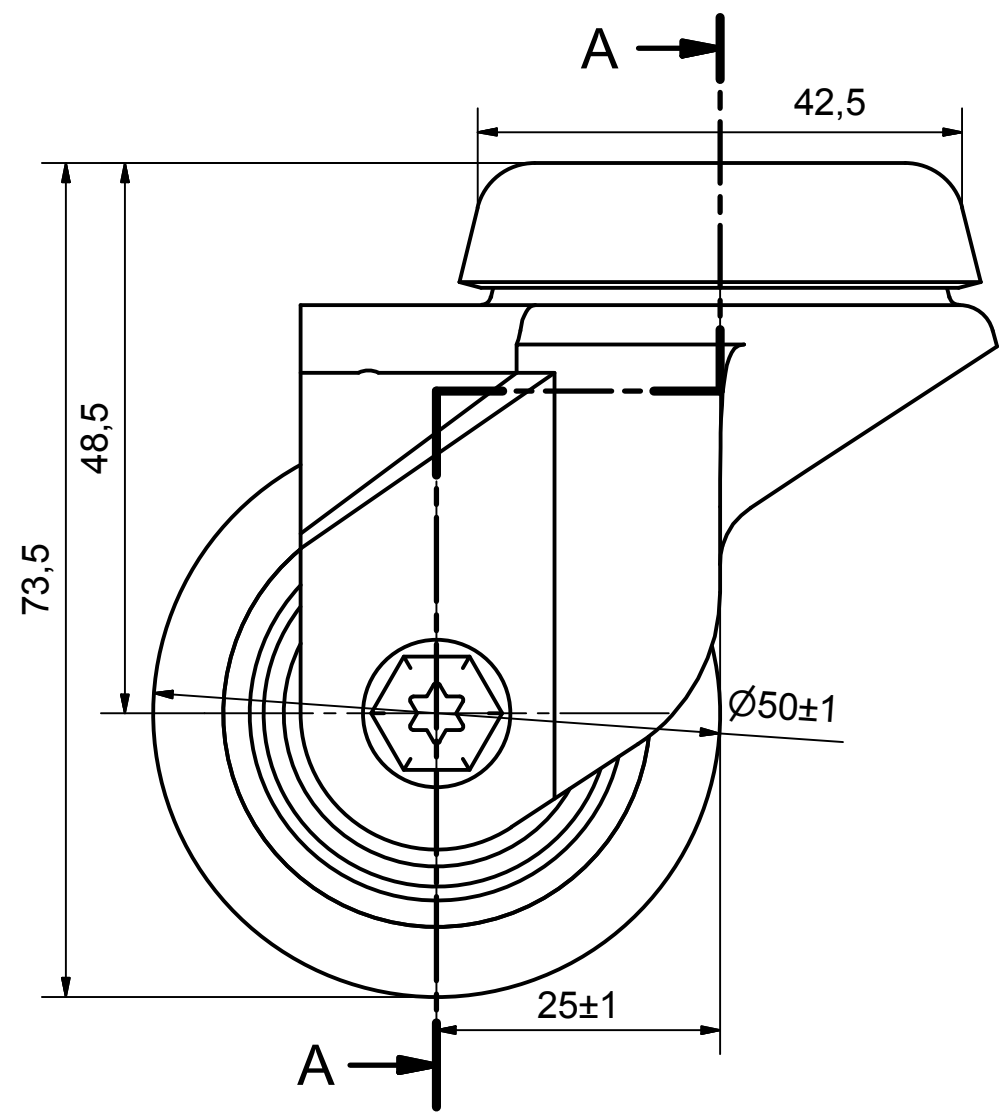
6 5 4 3 2 1

D

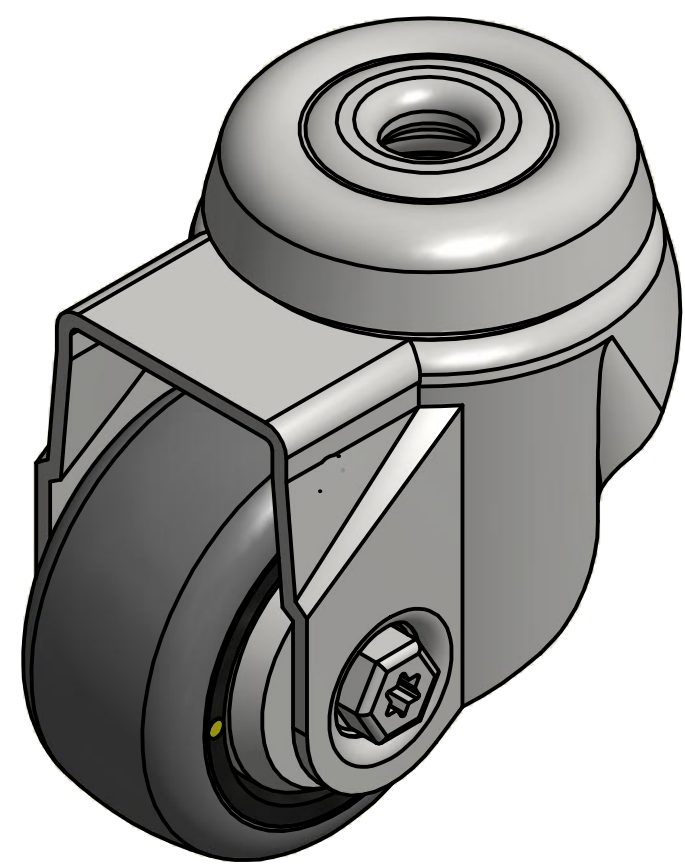
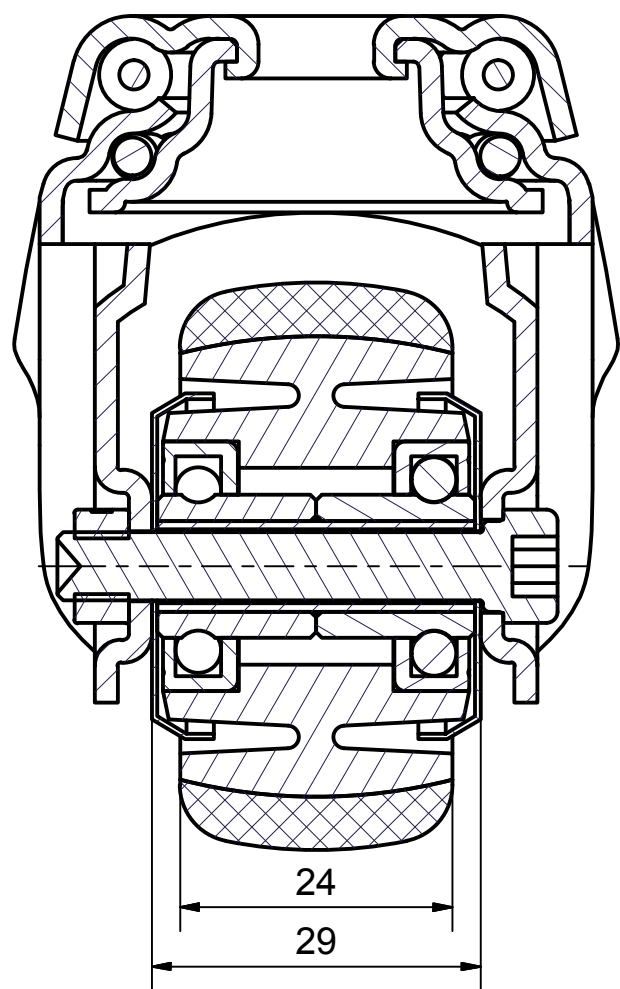
C

B

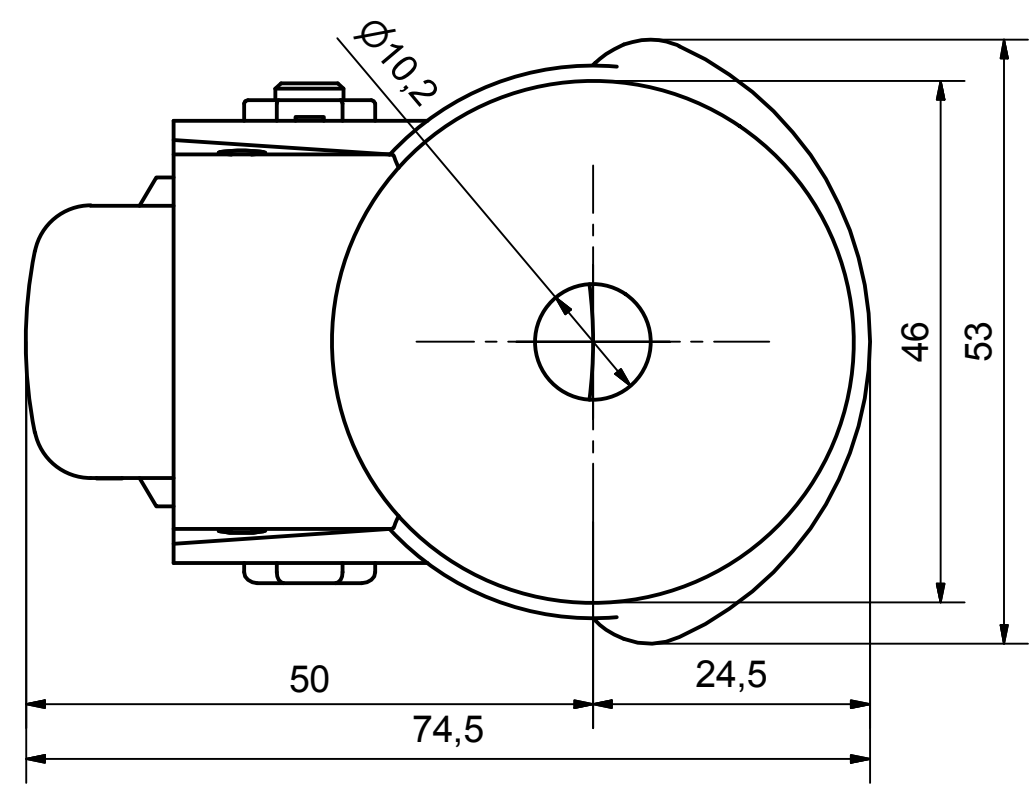
A




SECTION A-A'



Load Capacity: 50kg, for speed up to 4km/h
(According to EN 12530)



6 5 4 3 2 1

 PRODUCTION OF INSTITUTIONAL CASTORS AND WHEELS THESSALONIKI - GREECE	PERMIS. VARIATIONS:		PART No:
	SURFACE FINISH :		UNF . DIM.:
This drawing is the property of RODA S.A. It must neither be reproduced in any manner nor shall it be submitted to third parties or competitors without our written consent	DESIGNED	26/6/2013	E.POLIMEROPOULOU
	DRAWN	26/6/2013	E.POLIMEROPOULOU
	CHECKED	26/6/2013	H.SAATZOGLOU
PART NAME : M.050.CPC.HSG			PART DESCRIPTION : Swivel castor, steel support, bolt hole fitting (10,2mm).Wheel 50x24mm,electric conductive non marking grey rubber (82shA) doub
DRAWING NUMBER :			SHEET No.
QUANTITY SCALE		GEN. DWG. NUM. :	
REPLACE :			

D

C

B

A