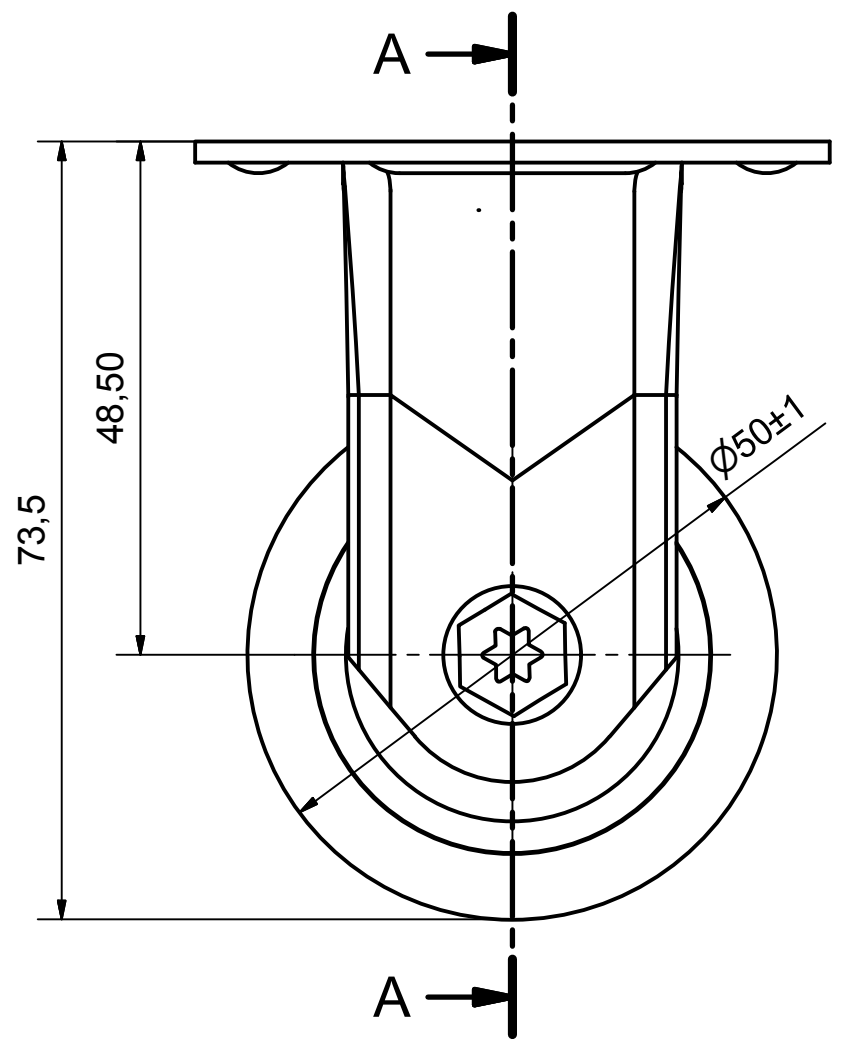
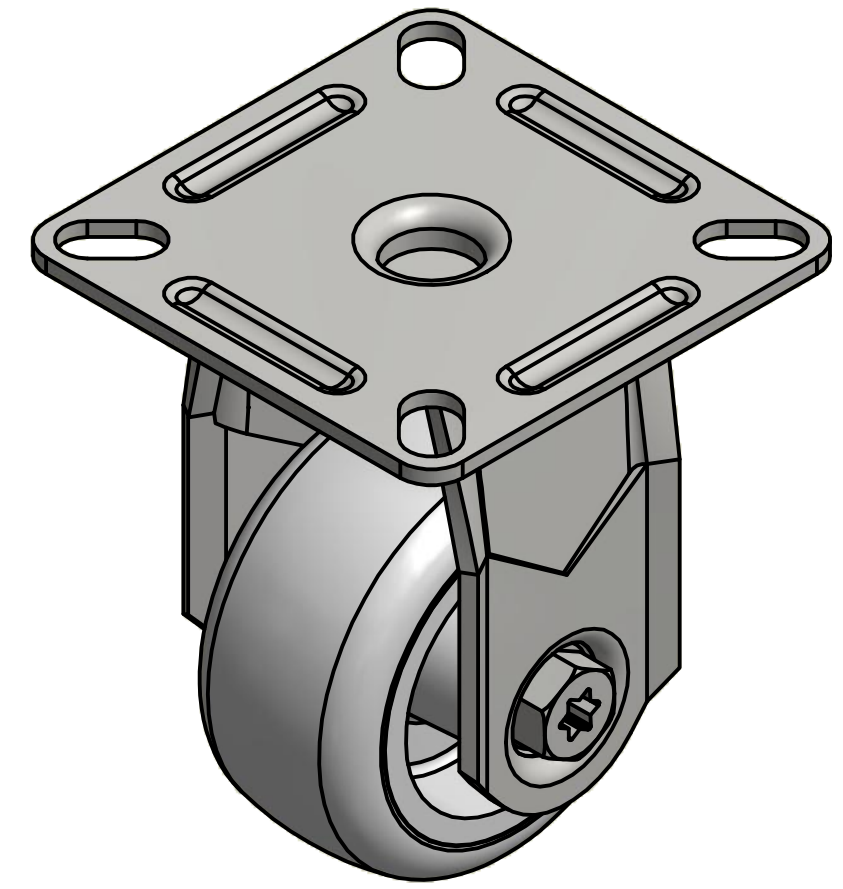
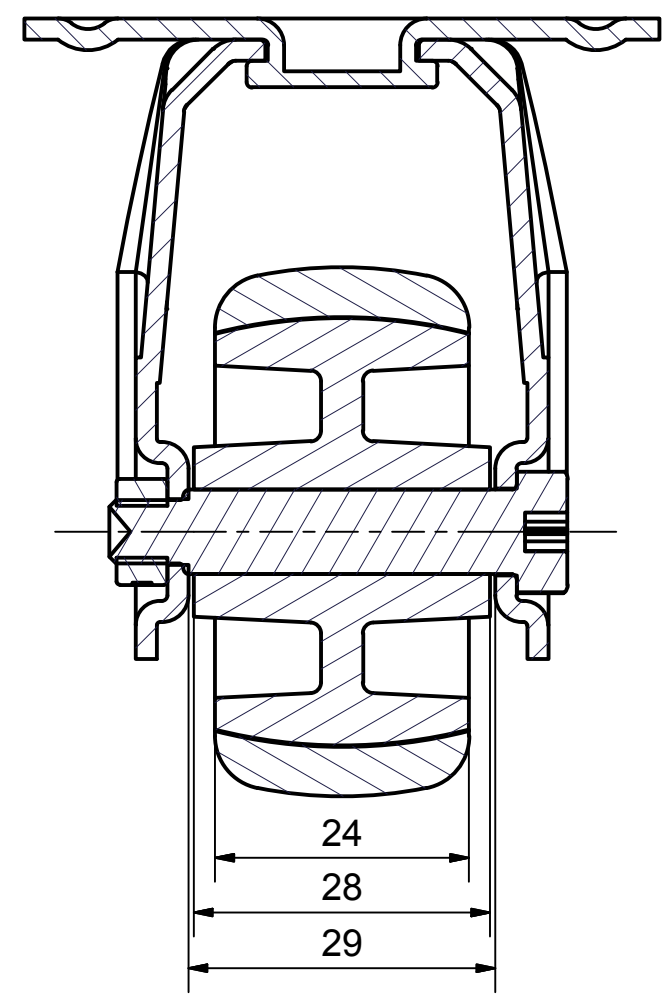


6 5 4 3 2 1

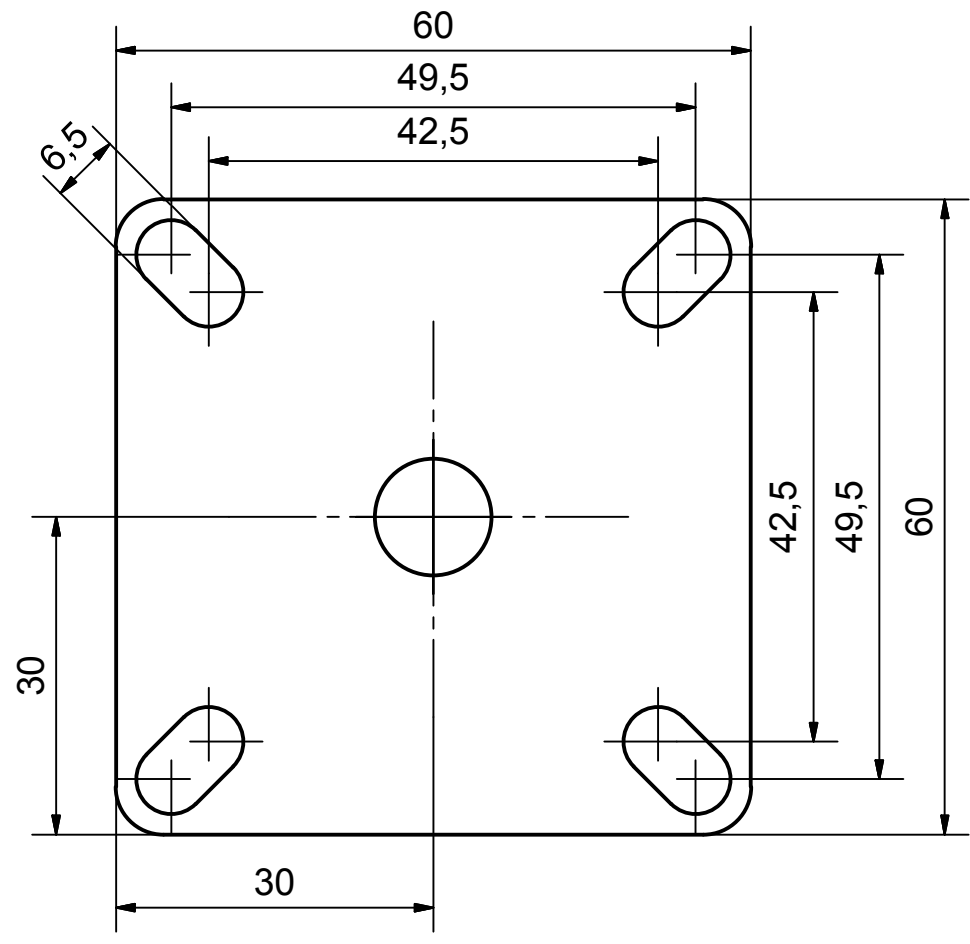
D
C
B
A




SECTION A-A'



Load Capacity: 50kg, for speed up to 4km/h
(According to EN 12530)



 PRODUCTION OF INSTITUTIONAL CASTORS AND WHEELS THESSALONIKI - GREECE This drawing is the property of RODA S.A. It must neither be reproduced in any manner nor shall it be submitted to third parties or competitors without our written consent	PERMIS. VARIATIONS:		PART No:	
	SURFACE FINISH:		UNF . DIM.:	
DESIGNED 21/6/2013 E.POLIMEROPOULOU DRAWN 21/6/2013 E.POLIMEROPOULOU CHECKED 21/6/2013 H.SAATSOGLOU			PART NAME : M.050.NNA.TF	
C3 B2 A1 A/A			PART DESCRIPTION : Fixed castor, steel support, top plate fitting.Wheel 50x24mm,white polyamide plain bearing	
QUANTITY		SCALE		SHEET No.
REPLACE :			DRAWING NUMBER : GEN. DWG. NUM. :	

6 5 4 3 2 1