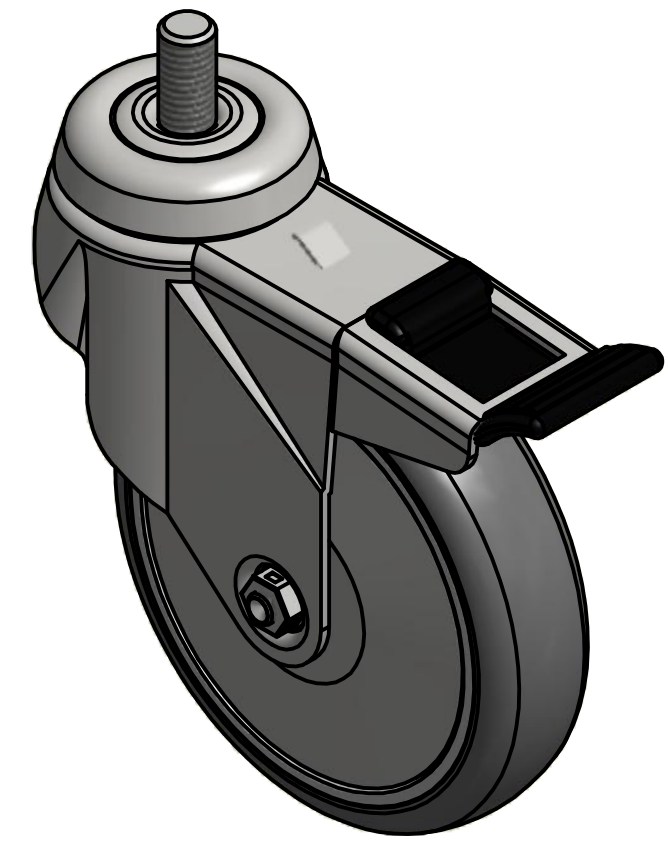
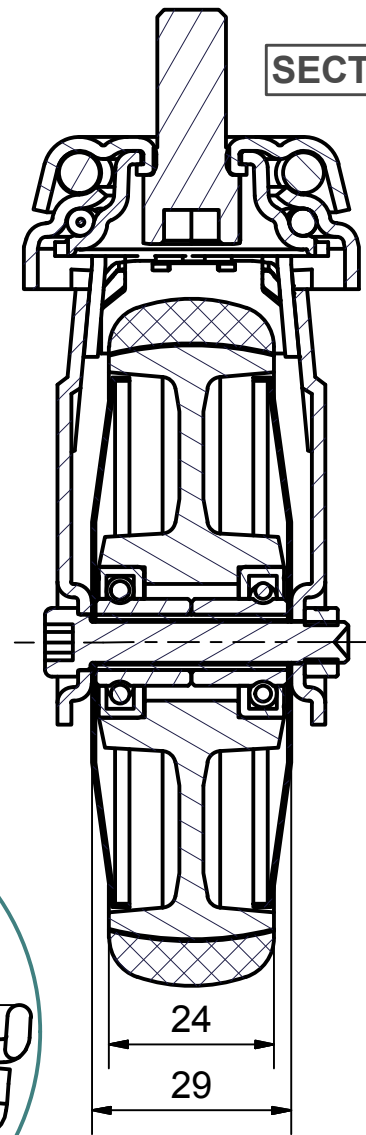
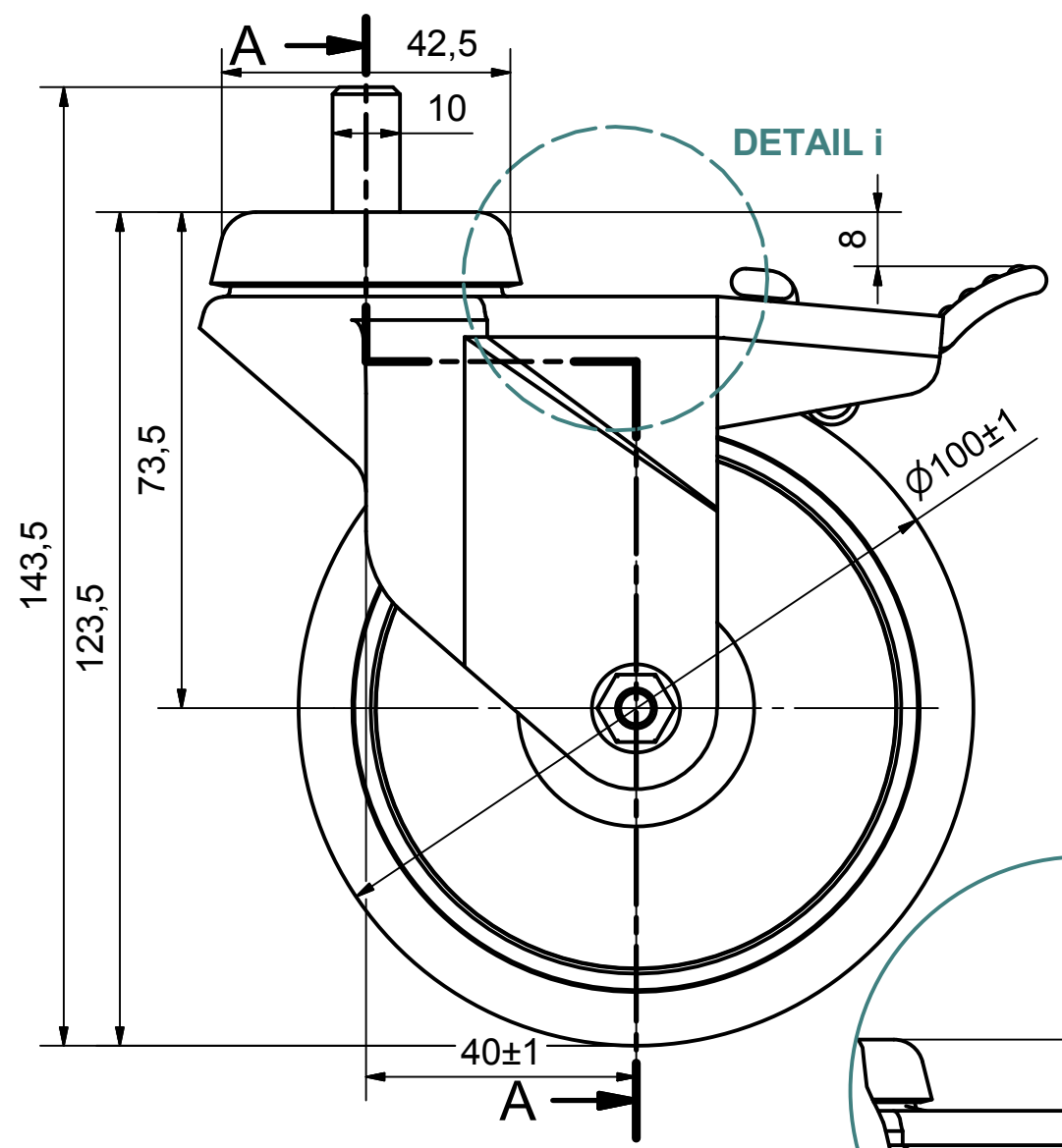


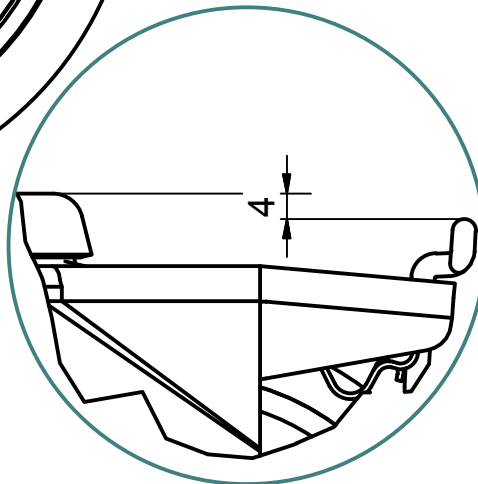
6 5 4 3 2 1

D

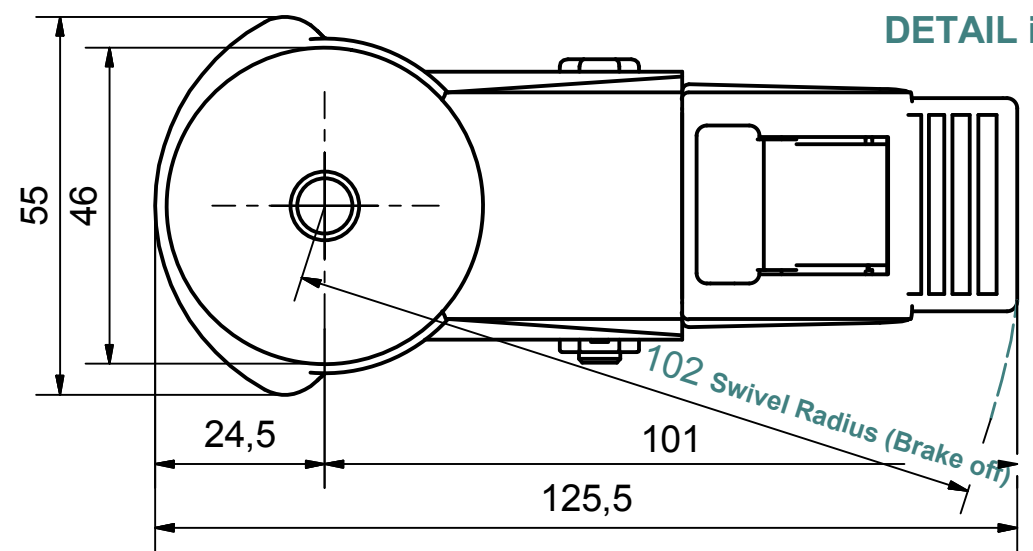
D



Load Capacity: 70kg, for speed up to 4km/h
(According to EN 12530)



DETAIL i (Brake on)




B

B

A

A

6 5 4 3 2 1

 PRODUCTION OF INSTITUTIONAL CASTORS AND WHEELS THESSALONIKI - GREECE	PERMIS. VARIATIONS:		PART No:
	SURFACE FINISH :		UNF . DIM.:
This drawing is the property of RODA S.A. It must neither be reproduced in any manner nor shall it be submitted to third parties or competitors without our written consent	DESIGNED	10/7/2013	E.POLIMEROPOULOU
	DRAWN	10/7/2013	E.POLIMEROPOULOU
	CHECKED	10/7/2013	H.SAATSOGLOU
C3 B2 A1 A/A			PART NAME : M.100.TPC.BSBKG PART DESCRIPTION : Swivel+brake castor, steel support, bolt stem M10X20mm.Wheel 100x24mm,non marking grey rubber (82shA) double ball bearings,ste DRAWING NUMBER : SHEET No.
QUANTITY		SCALE	GEN. DWG. NUM. :
REPLACE :			