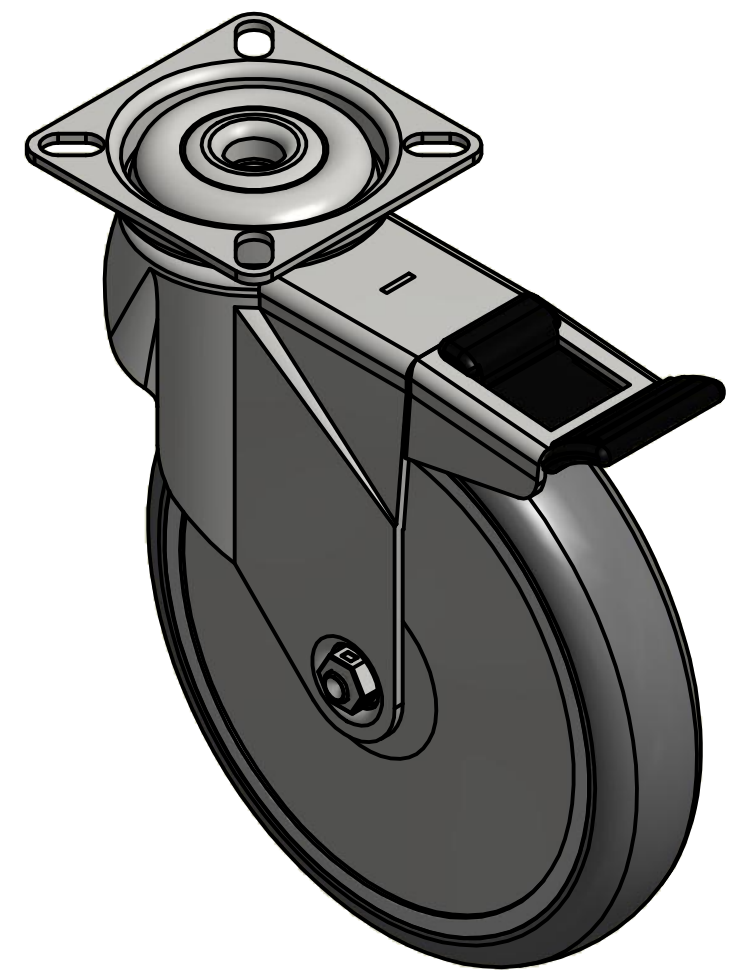
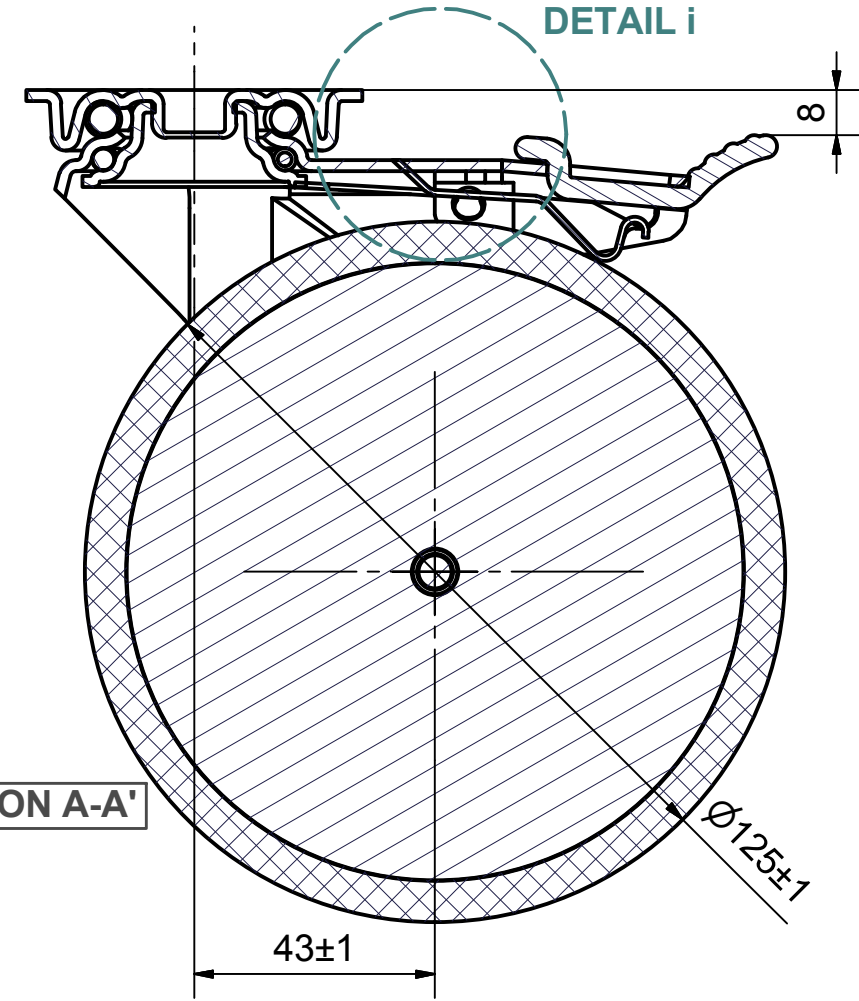
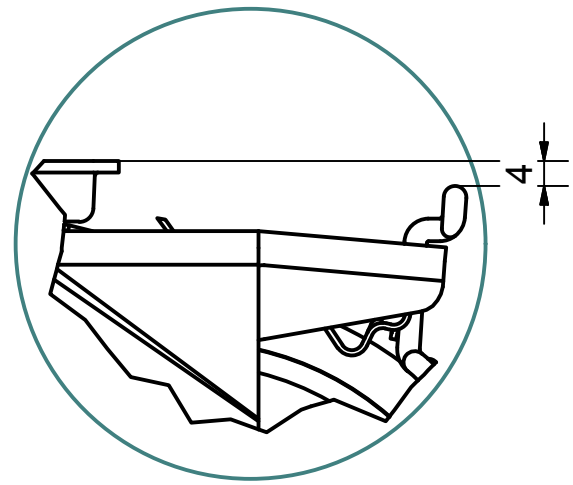
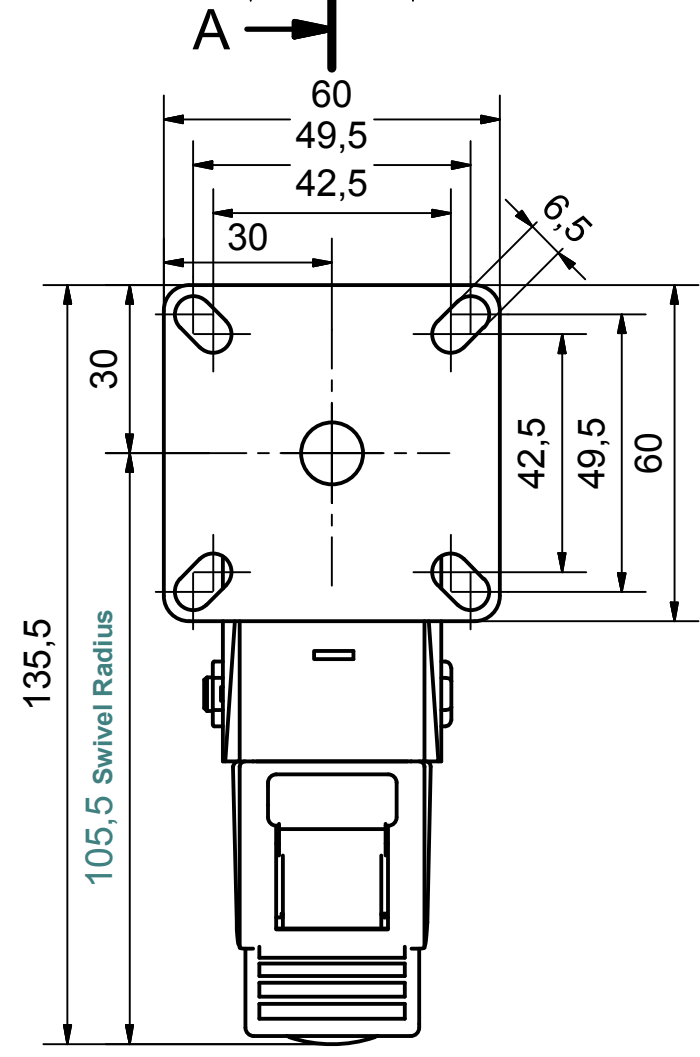



SECTION A-A'



Load Capacity: 80kg, for speed up to 4km/h
(According to EN 12530)



DETAIL i (Brake on)

| | | | | |
|---|-------------------------------------|---|-------------|--|
|  PRODUCTION OF INSTITUTIONAL CASTORS AND WHEELS THESSALONIKI - GREECE | PERMIS. VARIATIONS: | | PART No: | |
| | SURFACE FINISH: | | UNF . DIM.: | |
| This drawing is the property of RODA S.A. It must neither be reproduced in any manner nor shall it be submitted to third parties or competitors without our written consent | DESIGNED 12/7/2013 E.POLIMEROPOULOU | PART NAME : M.125.TPA.TSBKG | | |
| | DRAWN 12/7/2013 E.POLIMEROPOULOU | PART DESCRIPTION : Swivel+brake castor, steel support, top plate fitting.Wheel 125x24mm,non marking grey rubber (82shA) plain bearing,steel thread | | |
| | CHECKED 12/7/2013 H.SAATSOGLOU | DRAWING NUMBER : | | |
| C3 B2 A1 A/A | QUANTITY REPLACE : | SCALE | SHEET No. | |
| GEN. DWG. NUM. : | | SHEET No. | | |