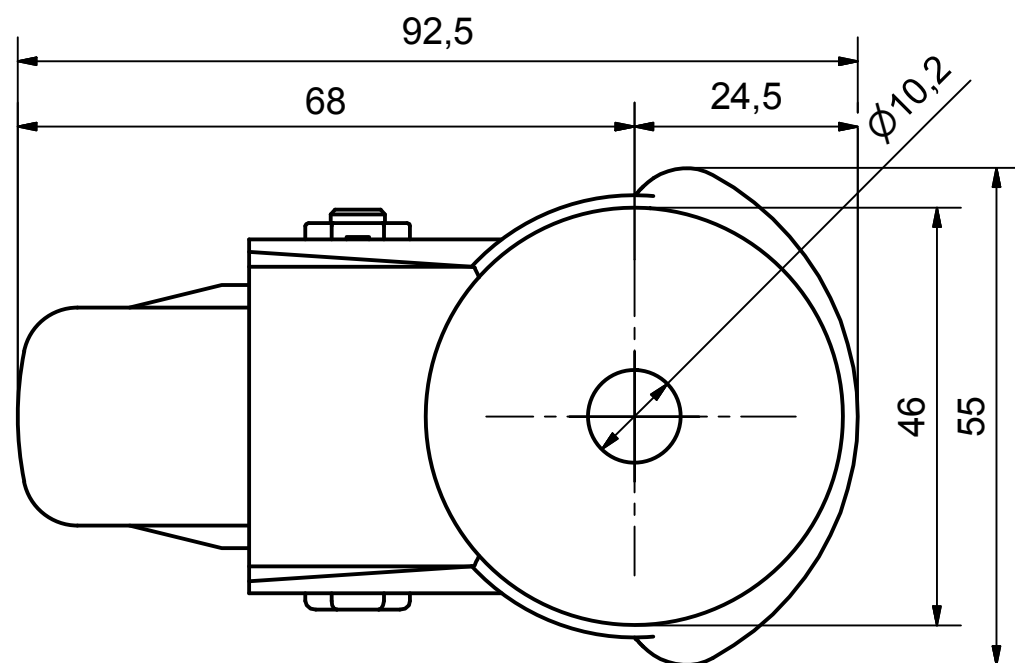



**Load Capacity: 60kg, for speed up to 4km/h  
(According to EN 12530)**



 <b>THESALONIKI - GREECE</b>	PRODUCTION OF INSTITUTIONAL CASTORS AND WHEELS		PERMIS. VARIATIONS:	PART No:
	This drawing is the property of RODA S.A. It must neither be reproduced in any manner nor shall it be submitted to third parties or competitors without our written consent		SURFACE FINISH :	UNF . DIM.:
DESIGNED 4/7/2013 E.POLIMEROPOULOU DRAWN 4/7/2013 E.POLIMEROPOULOU CHECKED 4/7/2013 H.SAATZOGLU	THESSALONIKI - GREECE		PART NAME :	<b>MX.075.TPC.HSGX</b>
C3 B2 A1 A/A	QUANTITY REPLACE :	SCALE	PART DESCRIPTION : <b>Swivel castor, stainless support, bolt hole fitting (10,2mm).Wheel 75x24mm,non marking grey rubber (82shA) double ball bearings</b>	
			DRAWING NUMBER :	SHEET No.
			GEN. DWG. NUM. :	