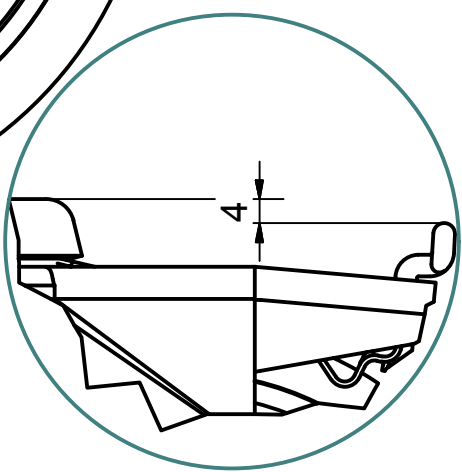
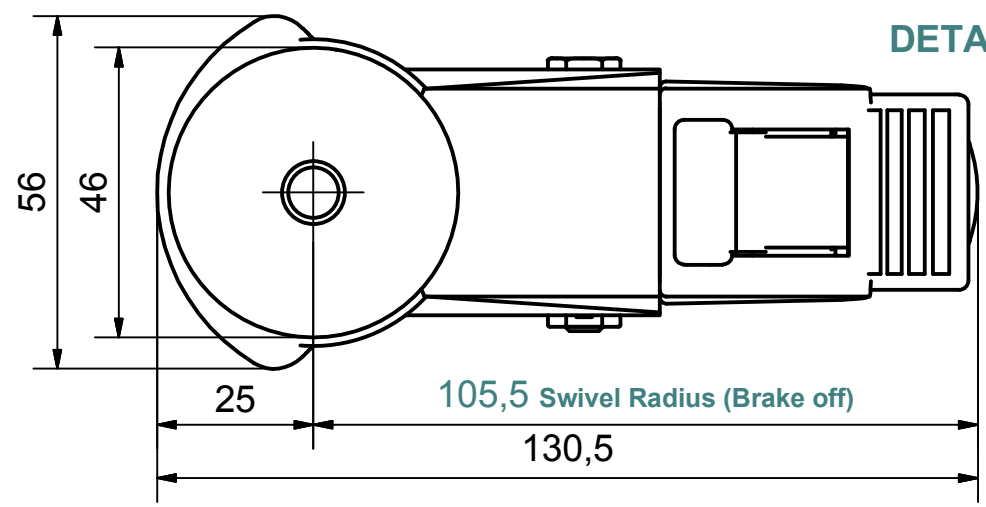



Load Capacity: 80kg, for speed up to 4km/h
(According to EN 12530)



DETAIL i (Brake on)



| | | | |
|-----------------------------------------------------------------------------------------------------------------------------------------------------------------------------|---------------------|-----------|------------------------|
|  PRODUCTION OF INSTITUTIONAL CASTORS AND WHEELS THESSALONIKI - GREECE | PERMIS. VARIATIONS: | | PART No: |
| | SURFACE FINISH : | | UNF . DIM.: |
| This drawing is the property of RODA S.A. It must neither be reproduced in any manner nor shall it be submitted to third parties or competitors without our written consent | DESIGNED | 15/7/2013 | E.POLIMEROPOULOU |
| | DRAWN | 15/7/2013 | E.POLIMEROPOULOU |
| | CHECKED | 15/7/2013 | H.SAATSOGLOU |
| PART DESCRIPTION : | | | PART NAME : |
| Swivel+brake castor, stainless support, bolt stem M10X20mm.Wheel 125x24mm,non marking grey rubber (82shA) double ball bearings | | | MX.125.TPC.BSBK |
| DRAWING NUMBER : | | SHEET No. | |
| GEN. DWG. NUM. : | | | |

| | | | | | |
|-----|--|--|--|-----------|-------|
| C3 | | | | QUANTITY | SCALE |
| B2 | | | | REPLACE : | |
| A1 | | | | | |
| A/A | | | | | |