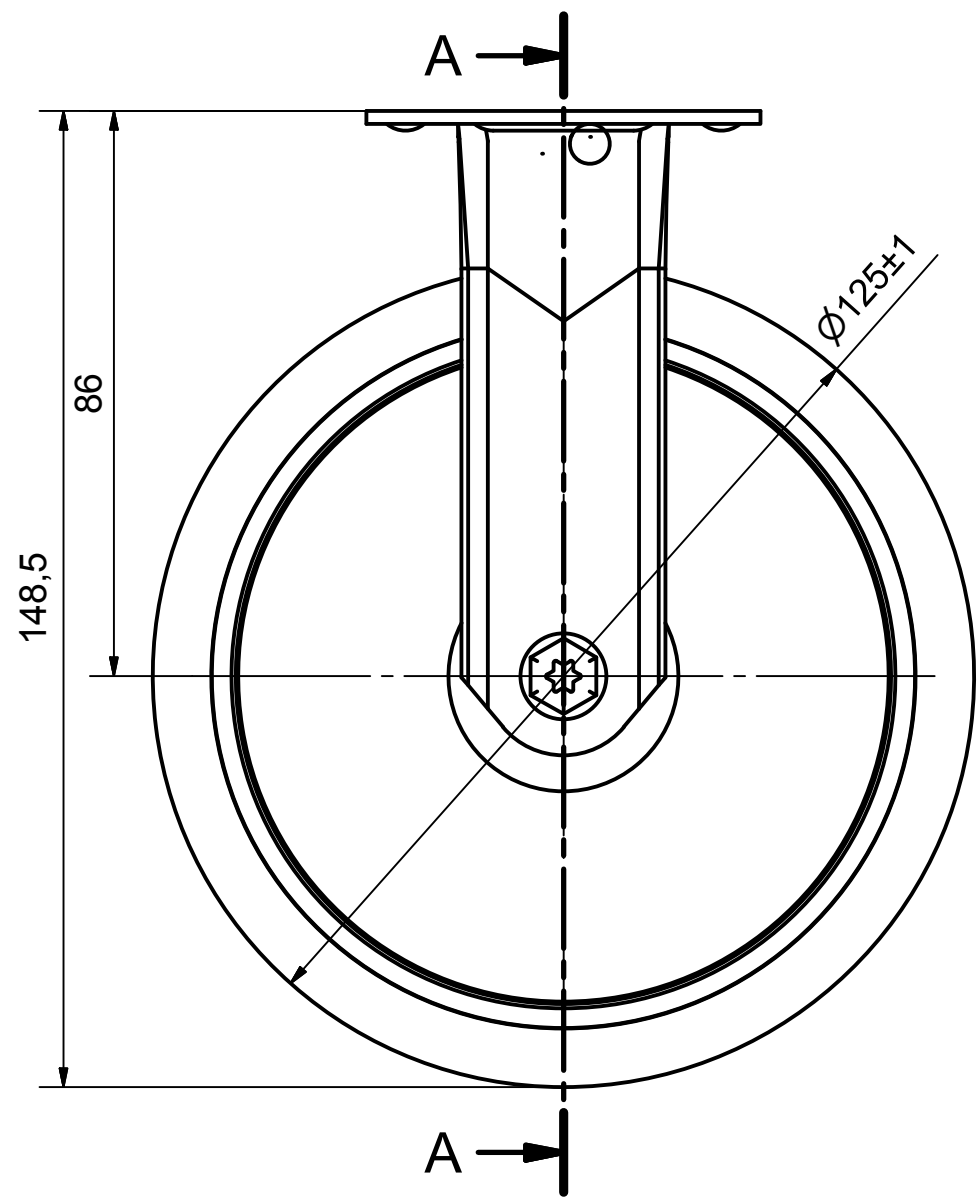
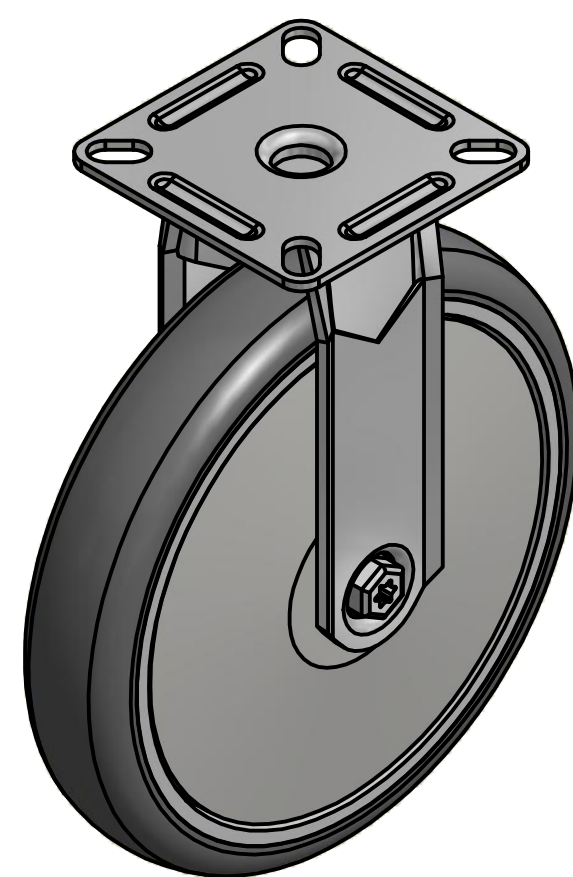
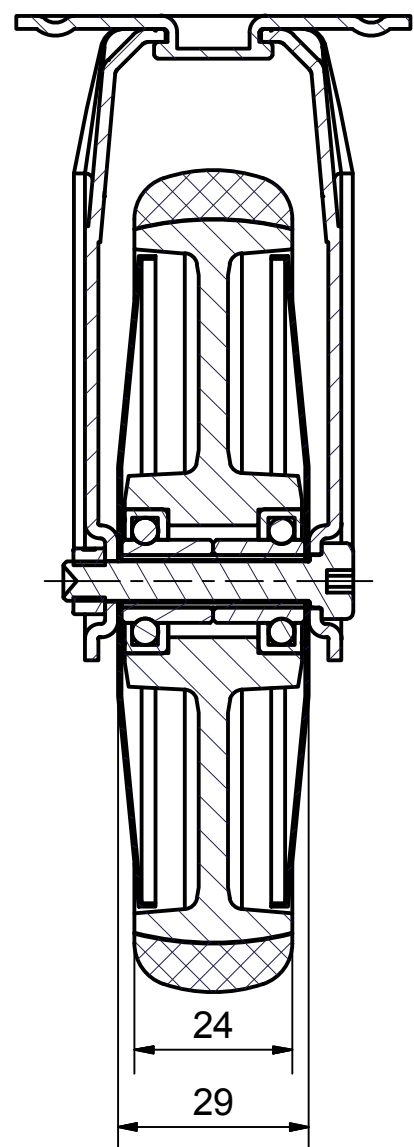


6 5 4 3 2 1

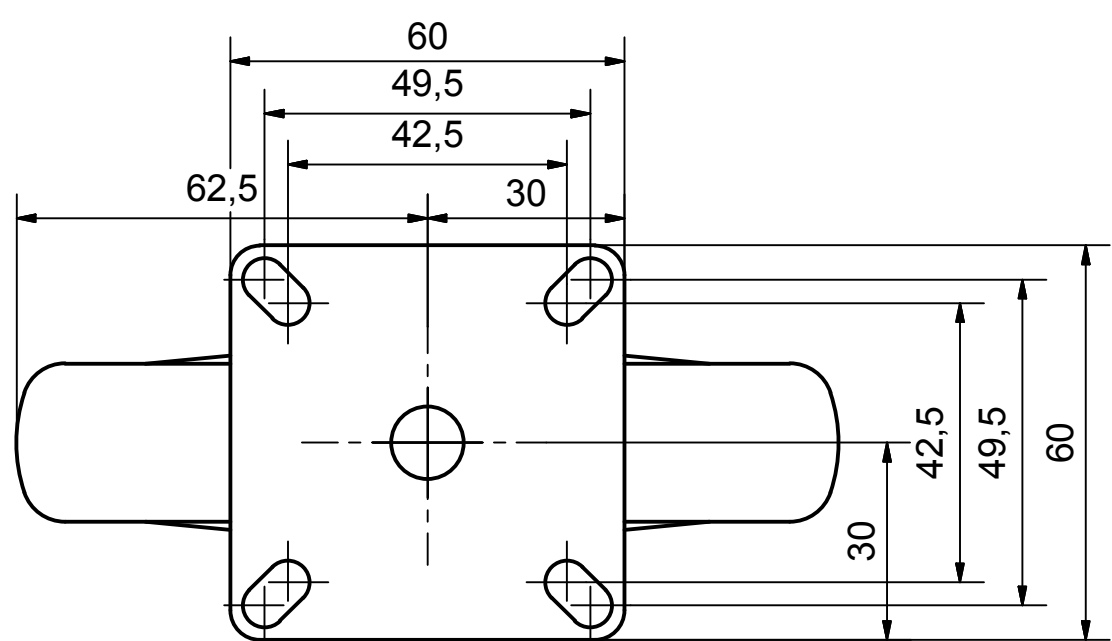
D  
C  
B  
A




SECTION A-A'



Load Capacity: 80kg, for speed up to 4km/h  
(According to EN 12530)



 PRODUCTION OF INSTITUTIONAL CASTORS AND WHEELS THESSALONIKI - GREECE	PERMIS. VARIATIONS:		PART No:	
	SURFACE FINISH:		UNF . DIM.:	
This drawing is the property of RODA S.A. It must neither be reproduced in any manner nor shall it be submitted to third parties or competitors without our written consent	DESIGNED	11/7/2013	E.POLIMEROPOULOU	PART NAME : <b>MX.125.TPC.TFGX</b>  PART DESCRIPTION : <b>Fixed castor, stainless support, top plate fitting.Wheel 125x24mm,non marking grey rubber (82shA) double ball bearings,stainles</b>
	DRAWN	11/7/2013	E.POLIMEROPOULOU	
	CHECKED	11/7/2013	H.SAATSOGLOU	
C3				DRAWING NUMBER :
B2				
A1				DRAWING NUMBER :
A/A				
			QUANTITY	SCALE
			REPLACE :	GEN. DWG. NUM. :

6 5 4 3 2 1