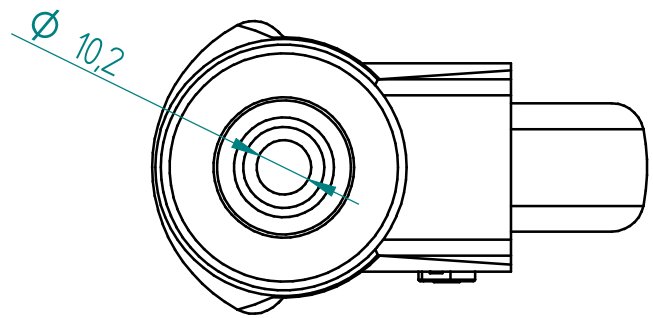
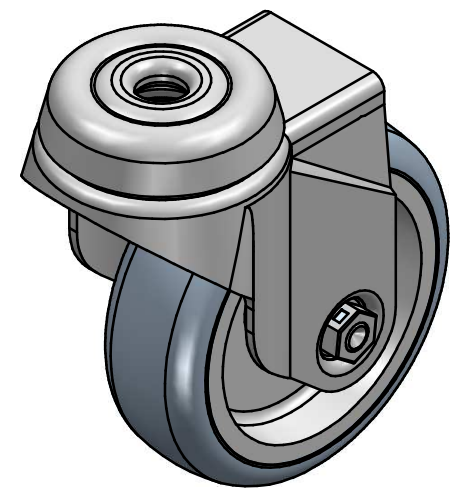



M Series		
A (mm)	B (mm)	C (mm)
50	73,5	25
75	101	30,5
100	123,5	40
125	148,5	43



 <b>PRODUCTION OF INSTITUTIONAL CATRORS AND WHEELS</b> <b>THESSALONIKI - GREECE</b>	PERMIS. VARIATIONS:	PART No.:
	SURFACE FINISH:	UNF. DIM.:
This drawing is the property of RODA S.A. It must neither be reproduced in any manner nor shall it be submitted to third parties or competitors without our written consent	DESIGNED 22/7/2010 ALISANDRATOS S.	MATERIAL:
	DRAWN 22/7/2010 ALISANDRATOS S.	
	CHECKED 22/7/2010	
PART DESCRIPTION : <b>M Series HS:Bolt Hole</b>		DRAWING SHEET No.
QUANTITY SCALE	GEN. DWG. NUM.:	
C3 B2 A1 A/A	REPLACE	