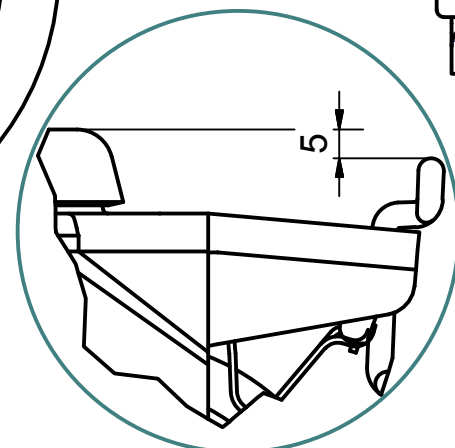
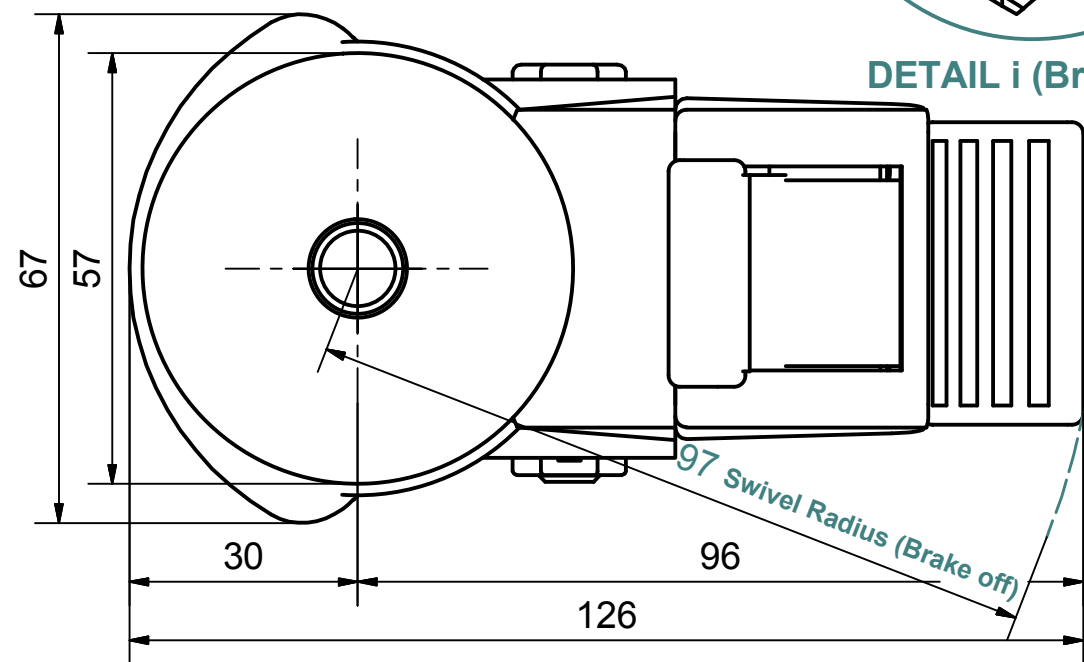



**Load Capacity: 70kg, for speed up to 4km/h
(According to EN 12530)**



DETAIL i (Brake on)



	PRODUCTION OF INSTITUTIONAL CASTORS AND WHEELS THESSALONIKI - GREECE		PERMIS. VARIATIONS:	PART No:
	This drawing is the property of RODA S.A. It must neither be reproduced in any manner nor shall it be submitted to third parties or competitors without our written consent		SURFACE FINISH :	UNF . DIM.:
DESIGNED 19/7/2013 E.POLIMEROPOULOU DRAWN 19/7/2013 E.POLIMEROPOULOU CHECKED 19/7/2013 H.SAATSOGLOU	QUANTITY REPLACE :	SCALE	PART NAME : SX.075.CPA.BSBKGX	
C3 B2 A1 A/A	GEN. DWG. NUM. :	SHEET No.	PART DESCRIPTION : Swivel+brake castor, stainless support, bolt stem M12X25mm.Wheel 75x32mm,electric conductive non marking grey rubber (82shA) pl	