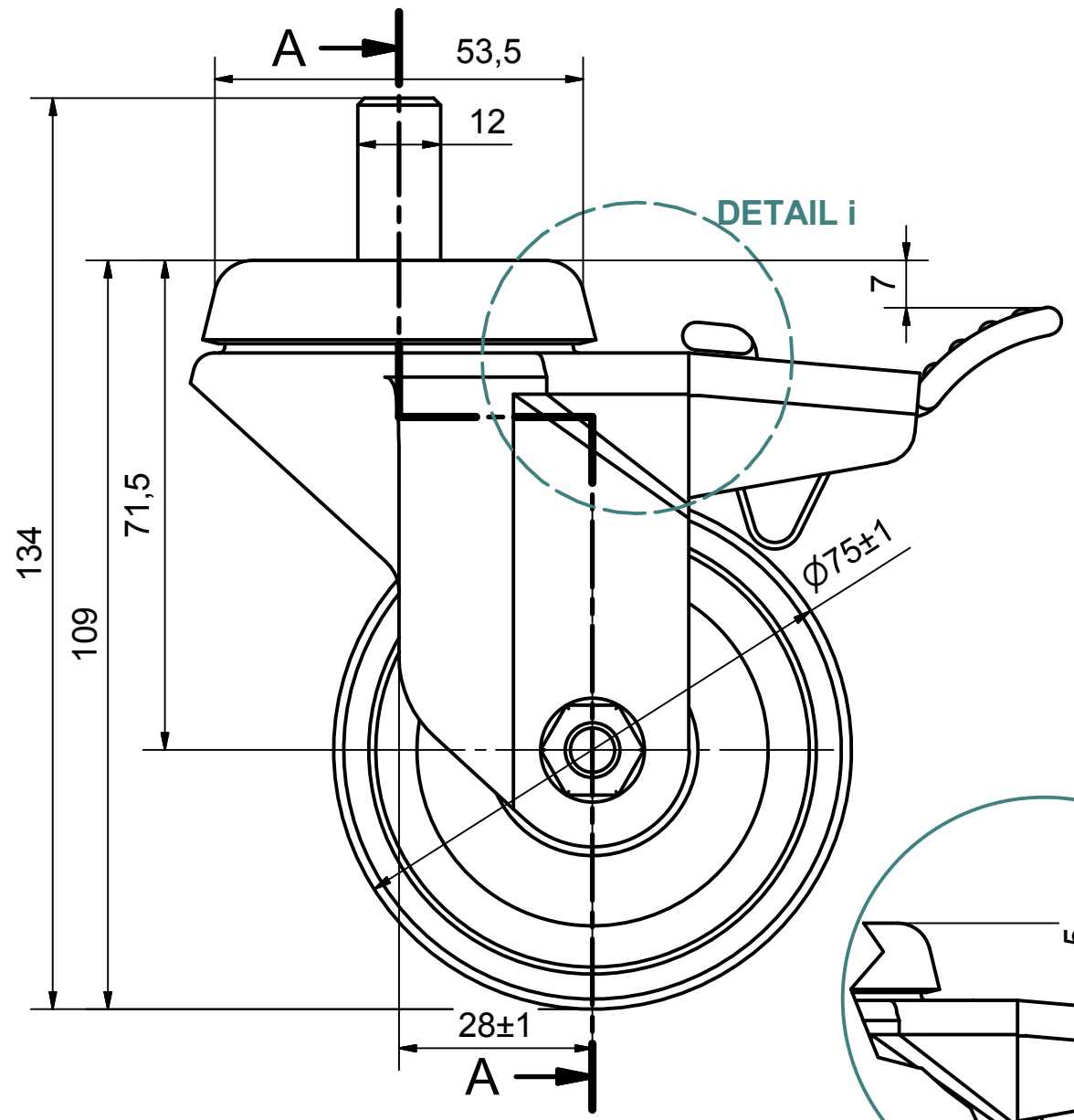


6 5 4 3 2 1

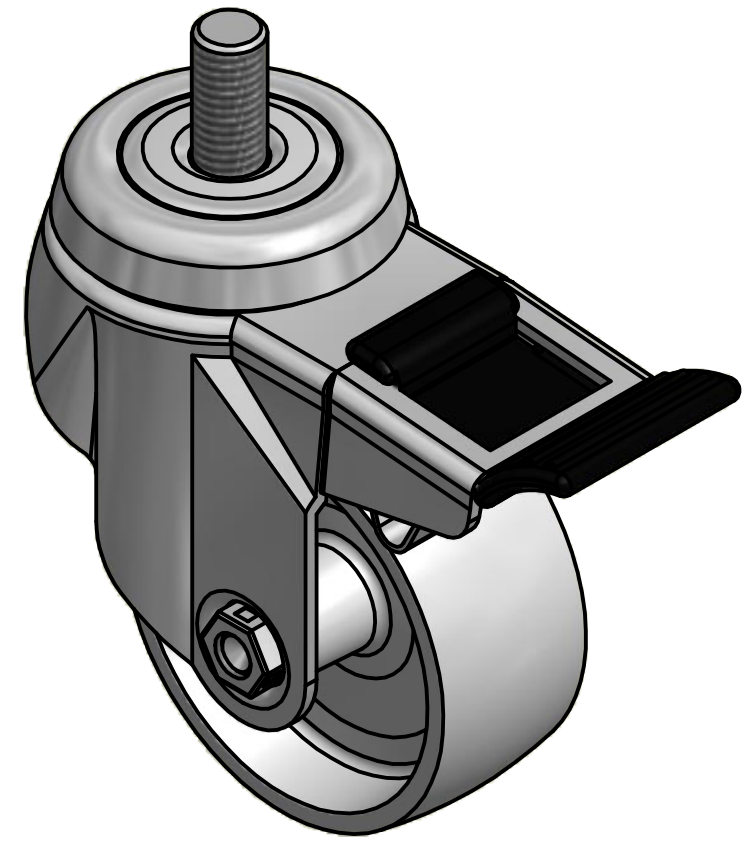
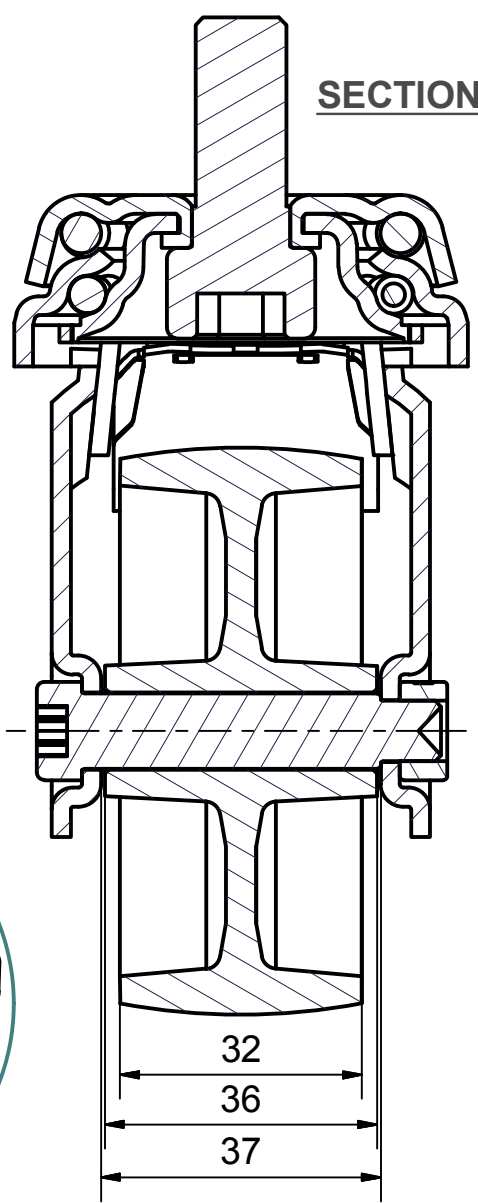
D

D

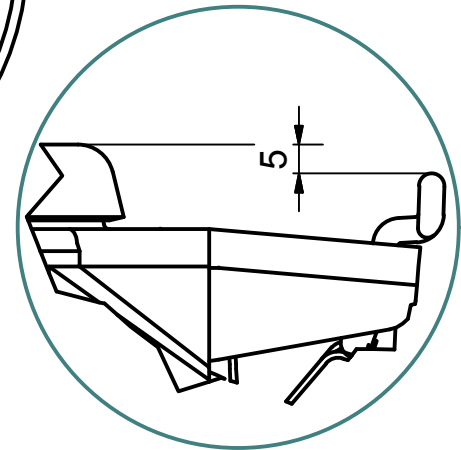


DETAIL i

SECTION A-A'



Load Capacity: 70kg, for speed up to 4km/h
(According to EN 12530)



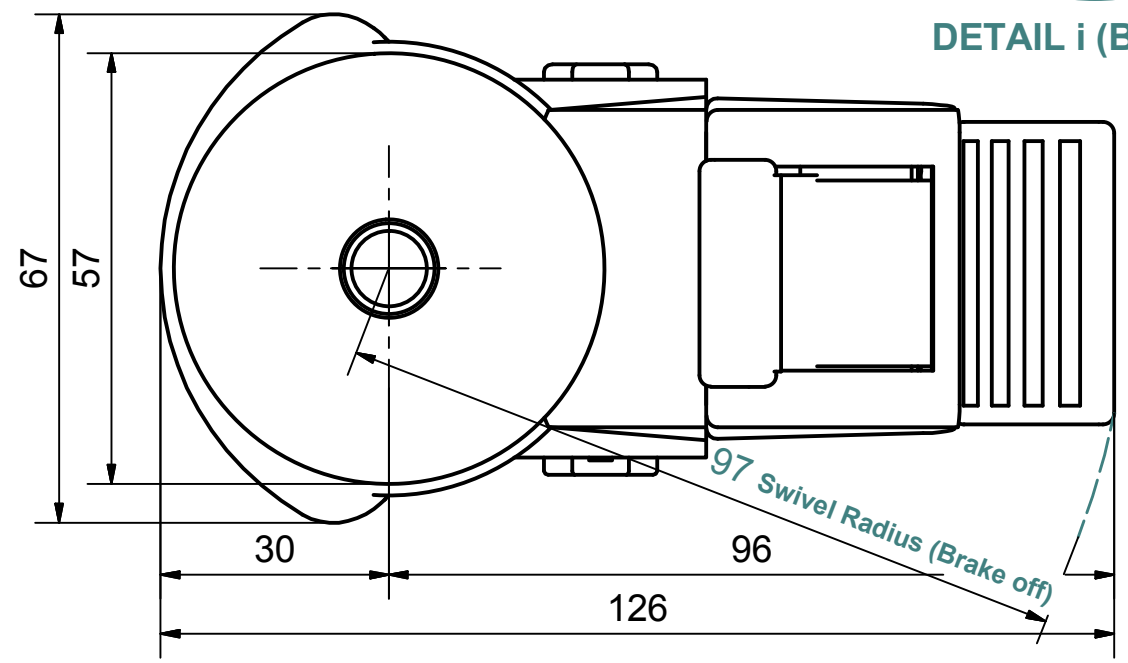
DETAIL i (Brake on)

C

C

B


B



A

A

6 5 4 3 2 1

 PRODUCTION OF INSTITUTIONAL CASTORS AND WHEELS THESSALONIKI - GREECE	PERMIS. VARIATIONS:		PART No:	
	SURFACE FINISH:		UNF . DIM.:	
This drawing is the property of RODA S.A. It must neither be reproduced in any manner nor shall it be submitted to third parties or competitors without our written consent			PART NAME : SX.075.NA.BSBK	
DESIGNED	19/7/2013	E.POLIMEROPOULOU	PART DESCRIPTION : Swivel+brake castor, stainless support, bolt stem M12X25mm.Wheel 75x32mm,white polyamide plain bearing	
DRAWN	19/7/2013	E.POLIMEROPOULOU	DRAWING NUMBER :	
CHECKED	19/7/2013	H.SAATSOGLOU	SHEET No.	
C3			QUANTITY	SCALE
B2			REPLACE :	GEN. DWG. NUM. :
A1				
A/A				