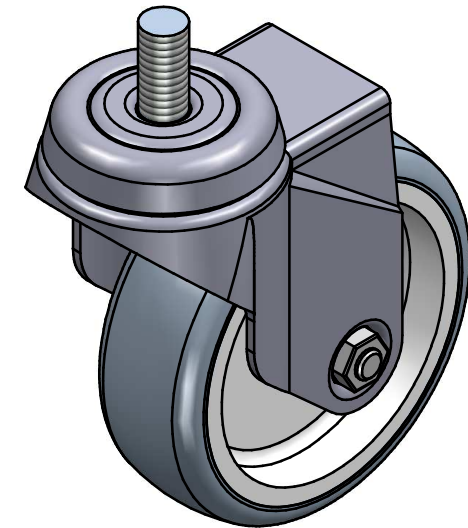
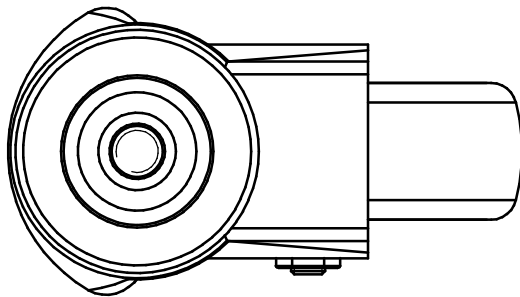



M Series		
A (mm)	B (mm)	C (mm)
75	109	28
100	131,5	40
125	156,5	40
150	181,5	45



 PRODUCTION OF INSTITUTIONAL CASTORS AND WHEELS THESSALONIKI - GREECE	PERMIS. VARIATIONS:	PART No.:																
	SURFACE FINISH:	UNF. DIM.:																
This drawing is the property of RODA S.A. It must neither be reproduced in any manner nor shall it be submitted to third parties or competitors without our written consent	DESIGNED 18/2/2011 ALISANDRATOS S. DRAWN 18/2/2011 ALISANDRATOS S. CHECKED 18/2/2011	MATERIAL:																
<table border="1"> <tr><td>C3</td><td></td><td></td><td></td></tr> <tr><td>B2</td><td></td><td></td><td></td></tr> <tr><td>A1</td><td></td><td></td><td></td></tr> <tr><td>A/A</td><td></td><td></td><td></td></tr> </table>	C3				B2				A1				A/A				QUANTITY SCALE REPLACE	PART DESCRIPTION : S Series BS:Bolt Stem DRAWING SHEET No.
C3																		
B2																		
A1																		
A/A																		
GEN. DWG. NUM.:		GEN. DWG. NUM.:																